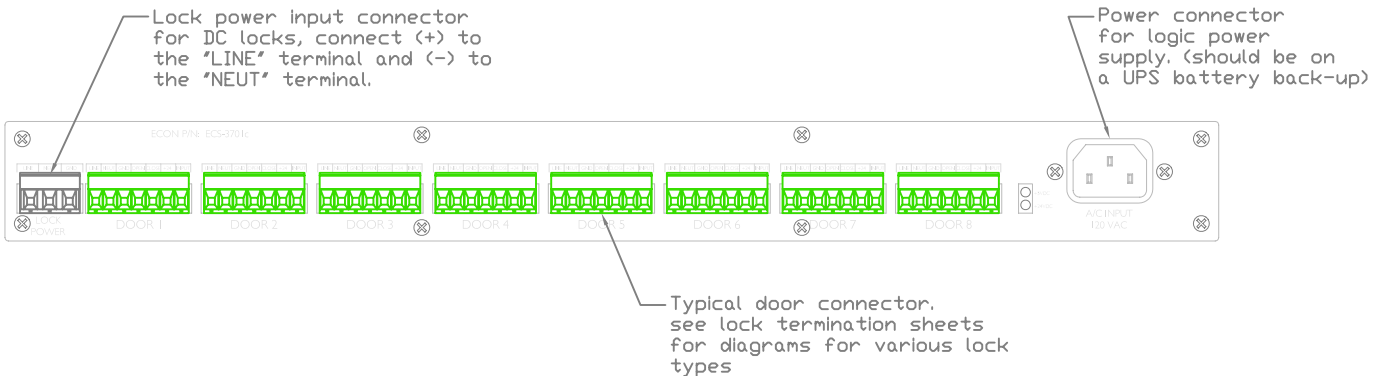
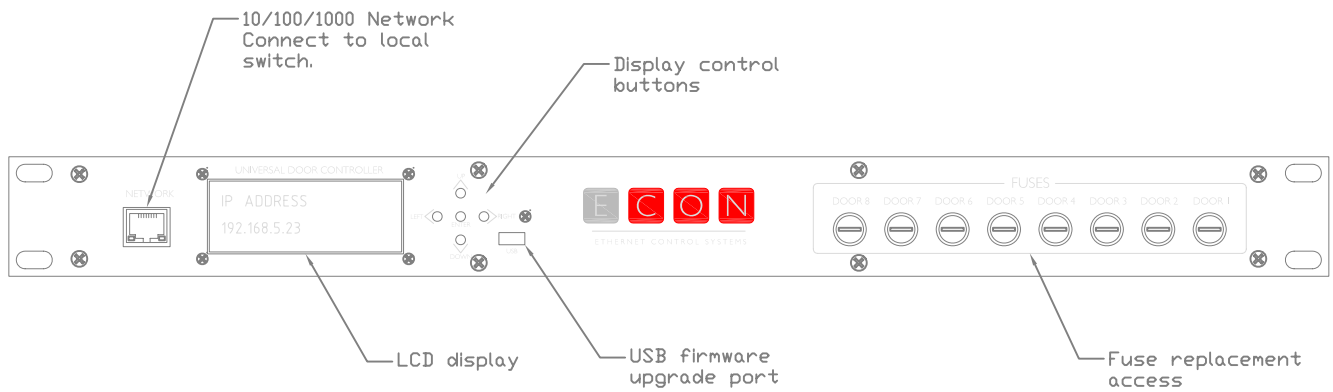




ETHERNET CONTROL SYSTEMS

Connection overview - ECS 3701b



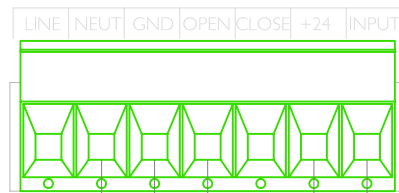
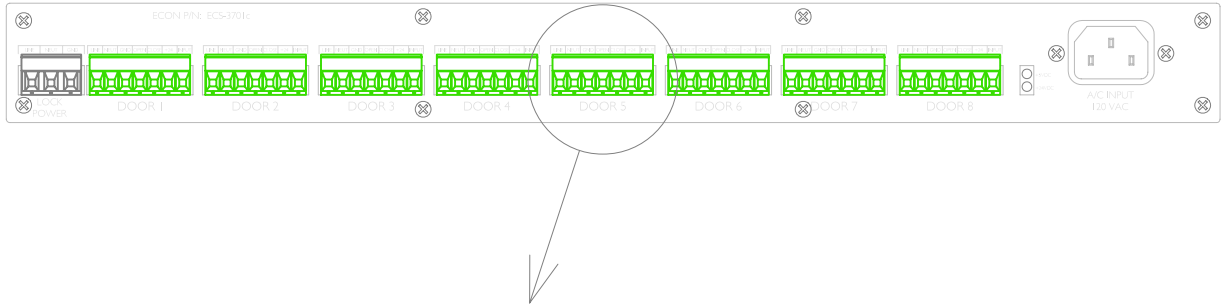
NOTE:
DO NOT USE THIS CONTROLLER FOR
VEHICULAR DOORS OR GATES. USE THE
UNIVERSAL GATE CONTROLLER (ECON P/N
3704)

NOTE:
DO NOT USE THIS CONTROLLER FOR
VEHICULAR MAGNETIC LOCKS OR OTHER
LOCKS REQUIRING A NORMALLY CLOSED
OUTPUT TO KEEP DOOR LOCKED.. USE THE
GENERAL INPUT/OUTPUT CONTROLLER
(ECON P/N 3709)



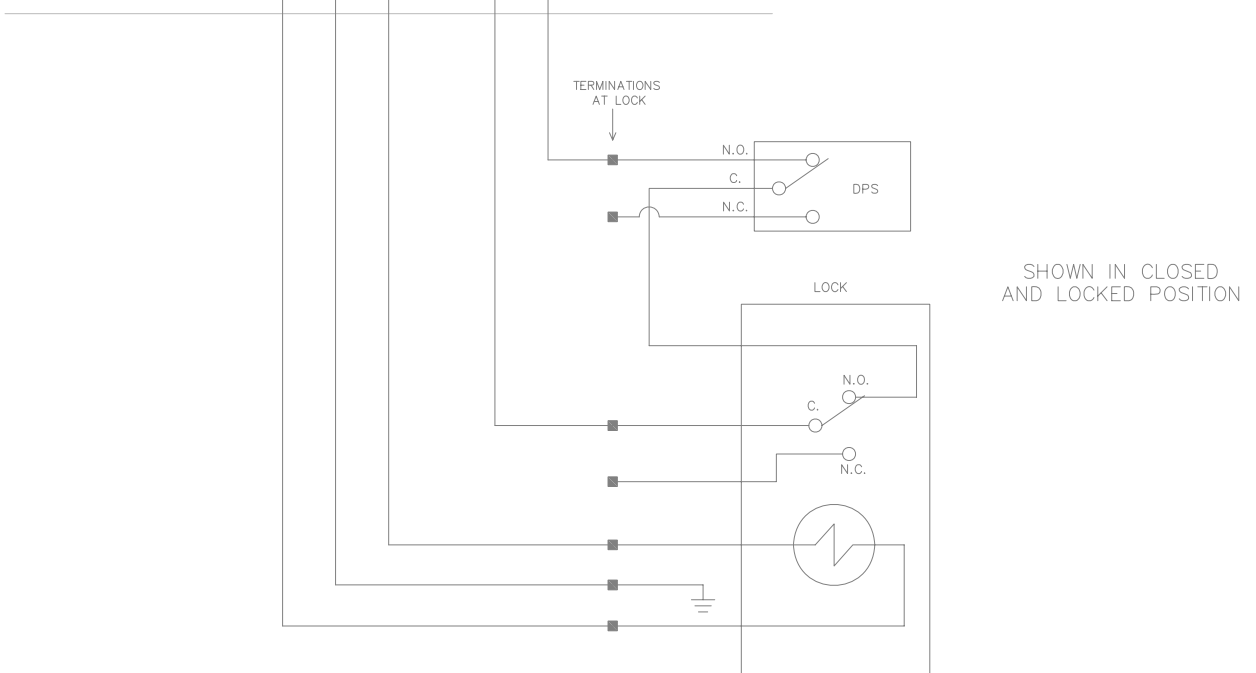
ETHERNET CONTROL SYSTEMS

Lock termination diagram - ECS 3701b for Solenoid Lock with normally closed door position circuit.



DOOR 5

NOTE:
IF THE SYSTEM IS CONFIGURED TO USE A CLOSED CIRCUIT FOR DOOR STATUS TO BE SECURE, WIRE DOOR POSITION SWITCH AND LOCK POSITION SWITCH IN SERIES AS SHOWN.



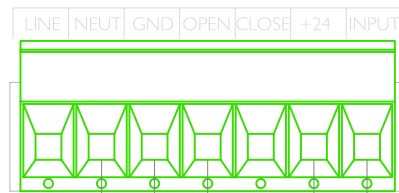
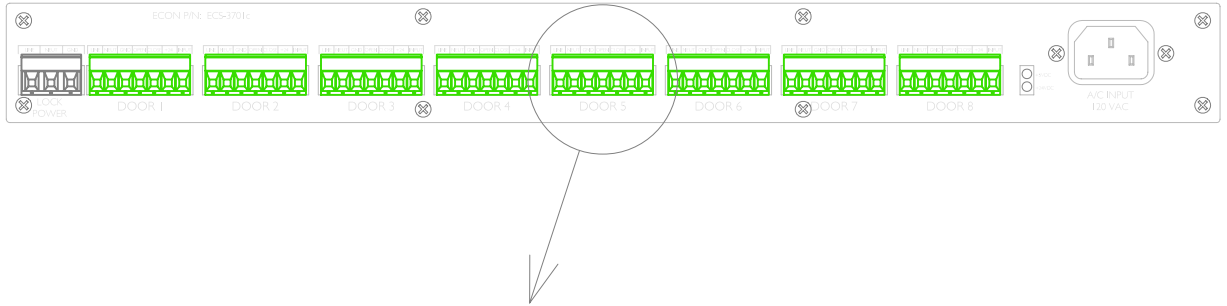
NOTE: USE STRANDED WIRE ONLY
14 GA MINIMUM FOR 120VAC DEVICES.

GROUND IN ACCORDANCE
WITH LOCK MANUFACTURER'S
REQUIREMENTS



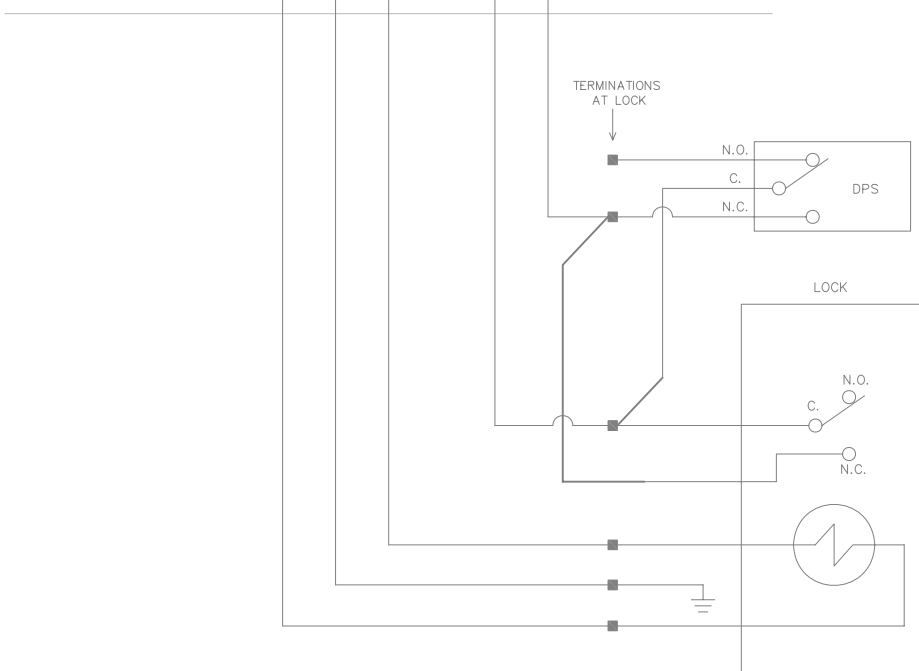
ETHERNET CONTROL SYSTEMS

Lock termination diagram - ECS 3701b for Solenoid Lock with normally open door position circuit.



DOOR 5

NOTE:
IF THE SYSTEM IS CONFIGURED TO USE AN OPEN CIRCUIT FOR DOOR STATUS TO BE SECURE, WIRE DOOR POSITION SWITCH AND LOCK POSITION SWITCH IN PARALLEL AS SHOWN.



SHOWN IN CLOSED AND LOCKED POSITION

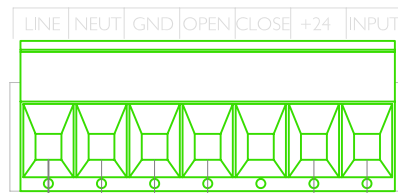
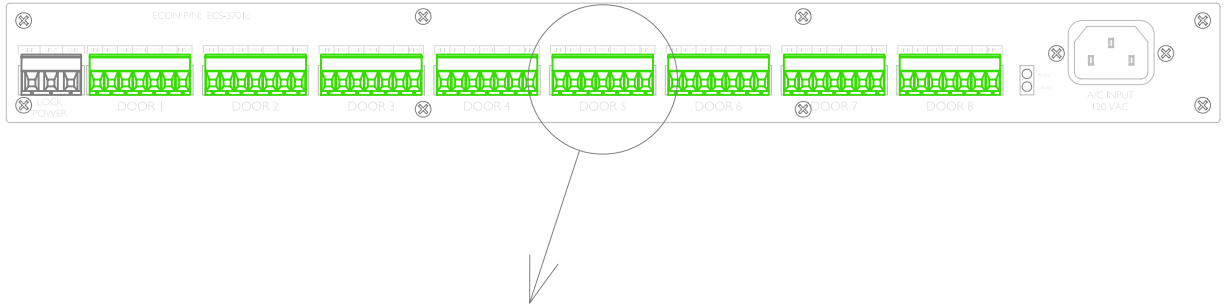
NOTE: USE STRANDED WIRE ONLY
14 GA MINIMUM FOR 120VAC DEVICES.

GROUND IN ACCORDANCE
WITH LOCK MANUFACTURER'S
REQUIREMENTS



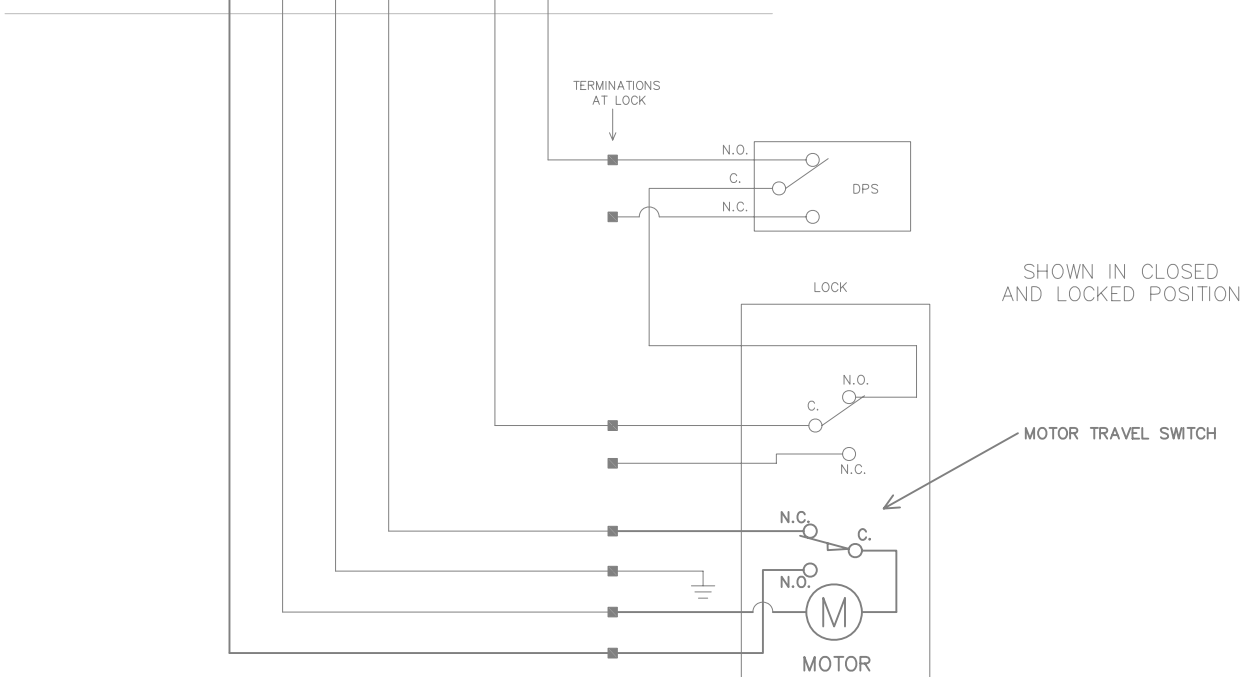
ETHERNET CONTROL SYSTEMS

Lock termination diagram - ECS 3701b for Motorized Lock with normally closed door position circuit.



DOOR 5

NOTE:
IF THE SYSTEM IS CONFIGURED TO USE A CLOSED CIRCUIT FOR DOOR STATUS TO BE SECURE, WIRE DOOR POSITION SWITCH AND LOCK POSITION SWITCH IN SERIES AS SHOWN.



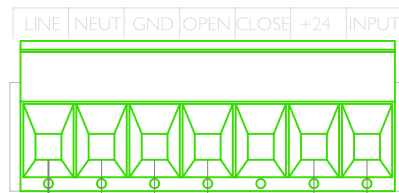
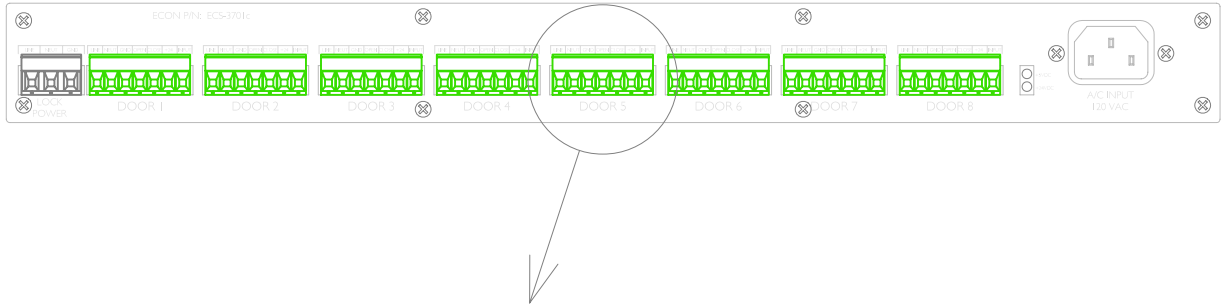
NOTE: USE STRANDED WIRE ONLY
14 GA MINIMUM FOR 120VAC DEVICES.

GROUND IN ACCORDANCE
WITH LOCK MANUFACTURER'S
REQUIREMENTS



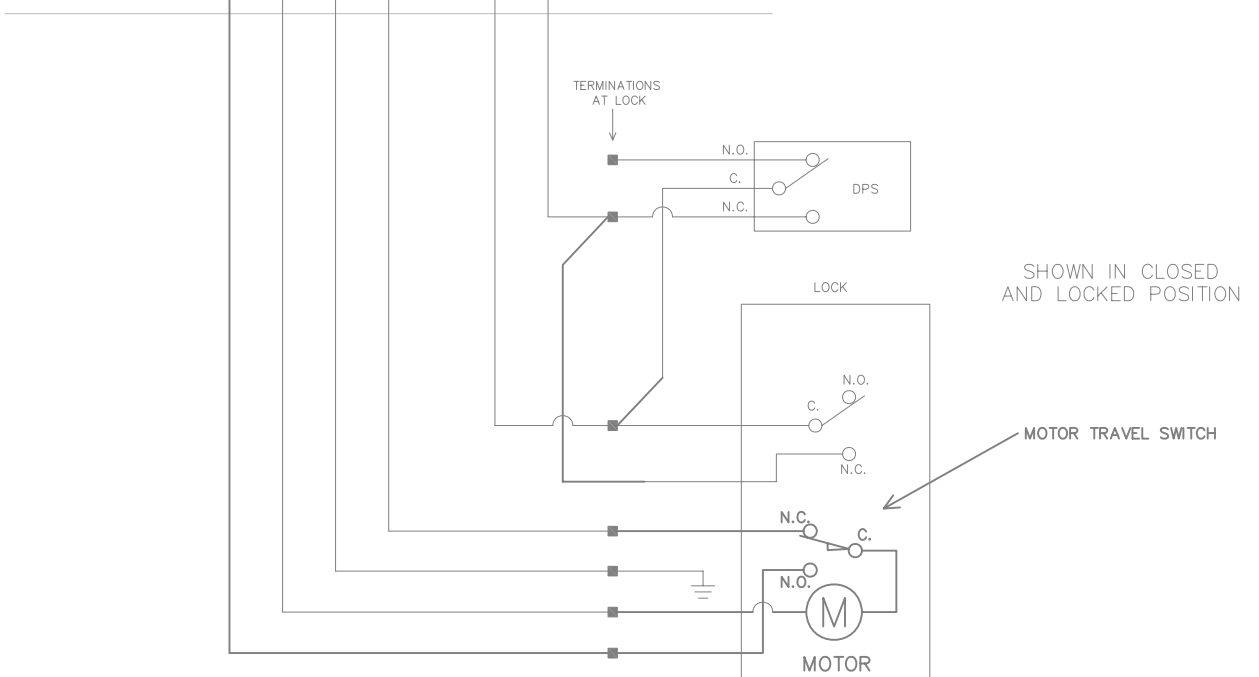
ETHERNET CONTROL SYSTEMS

Lock termination diagram - ECS 3701b for Motorized Lock with normally open door position circuit.



DOOR 5

NOTE:
IF THE SYSTEM IS CONFIGURED TO USE AN OPEN CIRCUIT FOR DOOR STATUS TO BE SECURE, WIRE DOOR POSITION SWITCH AND LOCK POSITION SWITCH IN PARALLEL AS SHOWN.



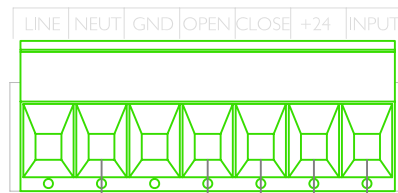
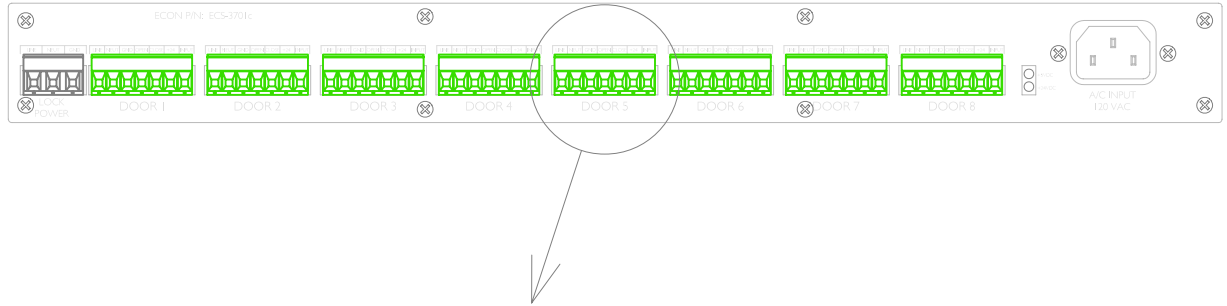
NOTE: USE STRANDED WIRE ONLY
14 GA MINIMUM FOR 120VAC DEVICES.

GROUND IN ACCORDANCE
WITH LOCK MANUFACTURER'S
REQUIREMENTS



ETHERNET CONTROL SYSTEMS

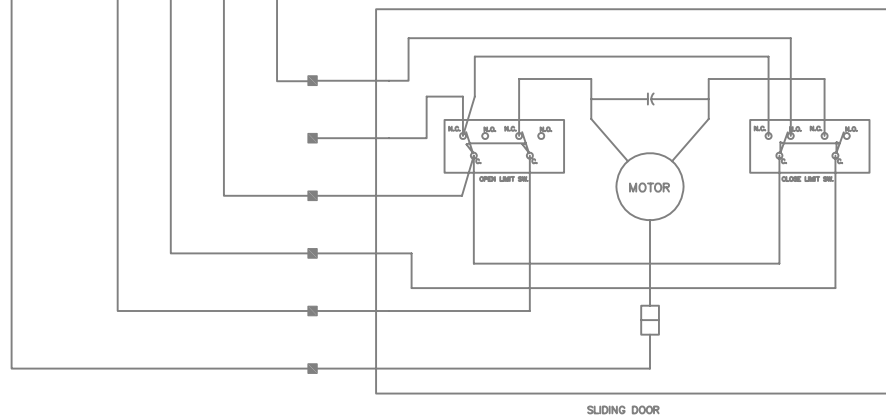
Lock termination diagram - ECS 3701b for Sliding Doors with normally closed door position circuit.



DOOR 5

NOTE:
IF THE SYSTEM IS CONFIGURED TO USE A CLOSED CIRCUIT FOR DOOR STATUS TO BE SECURE, WIRE DOOR POSITION SWITCH AND LOCK POSITION SWITCH IN SERIES AS SHOWN.

SHOWN IN CLOSED AND LOCKED POSITION



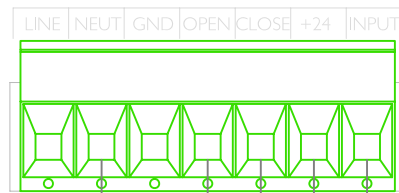
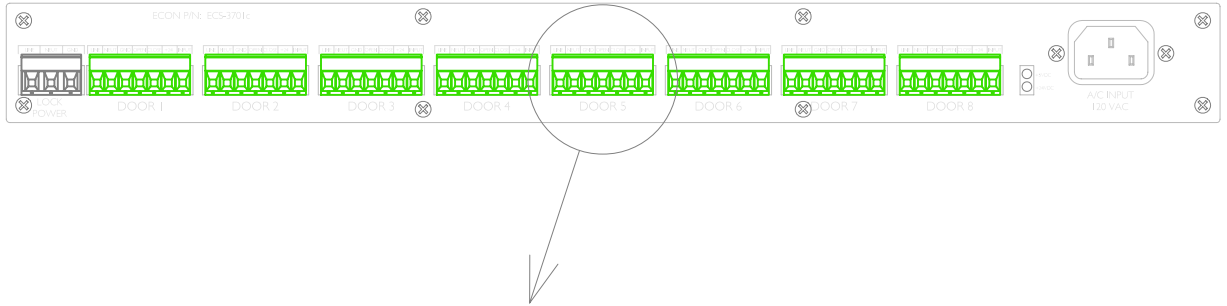
NOTE: USE STRANDED WIRE ONLY
14 GA MINIMUM FOR 120VAC DEVICES.

GROUND IN ACCORDANCE
WITH LOCK MANUFACTURER'S
REQUIREMENTS



ETHERNET CONTROL SYSTEMS

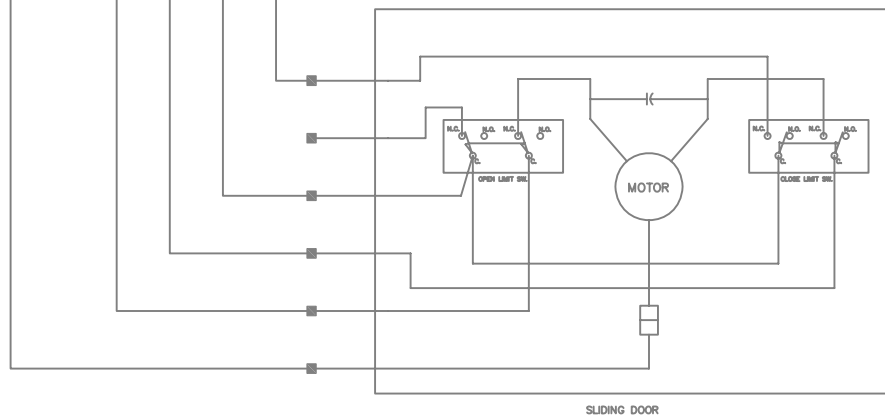
Lock termination diagram - ECS 3701b for Sliding Doors with normally open door position circuit.



DOOR 5

NOTE:
IF THE SYSTEM IS CONFIGURED TO USE AN OPEN CIRCUIT FOR DOOR STATUS TO BE SECURE, WIRE DOOR POSITION SWITCH AND LOCK POSITION SWITCH IN PARALLEL AS SHOWN.

SHOWN IN CLOSED AND LOCKED POSITION



SLIDING DOOR

NOTE: USE STRANDED WIRE ONLY
14 GA MINIMUM FOR 120VAC DEVICES.

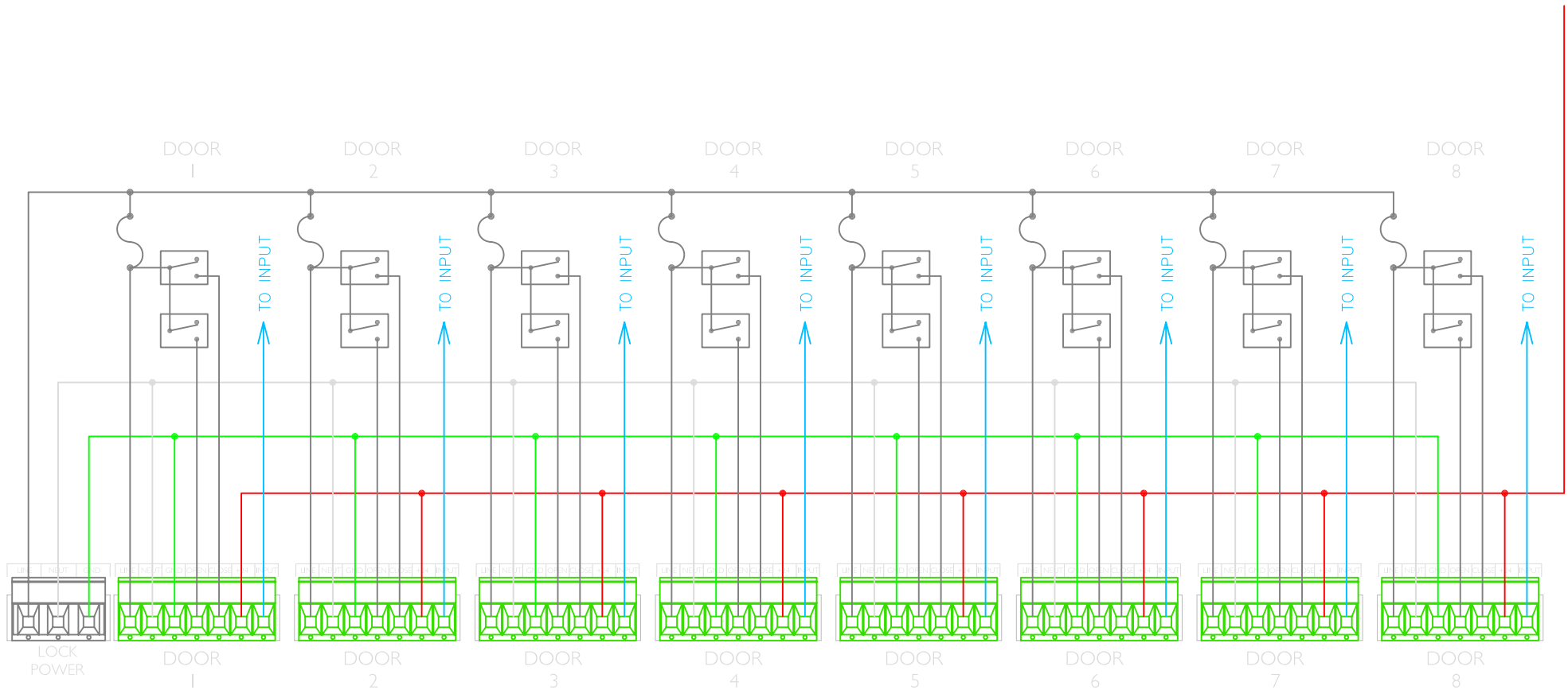
GROUND IN ACCORDANCE
WITH LOCK MANUFACTURER'S
REQUIREMENTS



ETHERNET CONTROL SYSTEMS

Internal Circuitry - ECS 3701b

+ 24 VDC BUSS
FROM INTERNAL
POWER SUPPLY



ENGLISH

NAME	DATE	TITLE:		
DRAWN	BJH 12/27/2012	Internal Circuitry diagram		
CHECKED	SPP 12/27/2012	DWG. NO.		
Q.A.		SIZE	PART NO.	REV
			ECS-3701B	B
		SCALE: nts	SHEET 1 OF 1	